

**Window and door handles.
Types and principal dimensions**

5087-80

34

49 820

5087-72

1

1981

;

: . . . , . . . (. . .), . . . ,
.

1.

2.

.1.

.1 - 3

.2.

1

- -

80

1

100

1

140

1

200

1

250

1

300 "

1

350 "

1

400 "

1

500 "

1

600 "

1

1

-

-

2

2

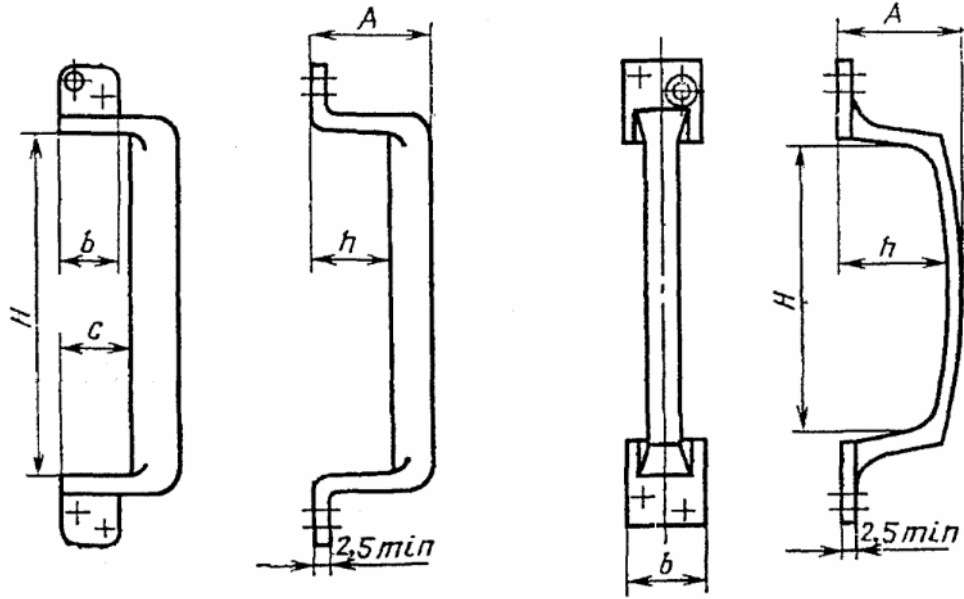
-

3

- PC

Исполнение 1

Исполнение 2



.1

2

- H A h , b,

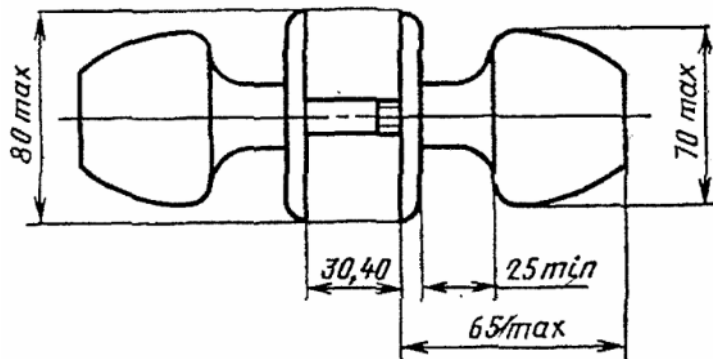
1145-70
1146-70

80	80	+/- 5	35	- 48	25	- 35	30	35	4	25	4
100	100	+/- 5	35	- 48	25	- 35	30	35	4	25	4
140	140	+/- 5			- 40	- 45	40	40	4	25	4
200	200	+/- 5					45	45	4	40	4
250	250	+/- 5	"				40	40	4	40	4 - 8
300	300	+/- 5	"				55	55	5	40	6 - 8
400	400	+/- 5	"				80	55	5	40	6 - 8
							80	65	5	40	6 - 8
500	500	+/- 5	"		50		80	80	5	40	6 - 8
600	600	+/- 5	"		"		80	80	5	40	6 - 8

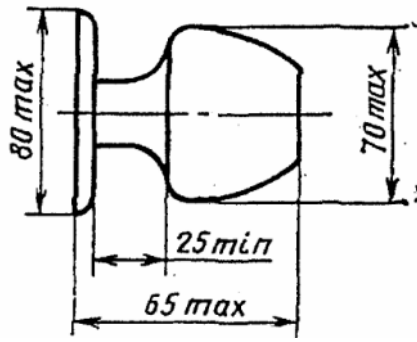
PC 80-1 5087-80

PC 80, 1:

- 1



.2



. 3

4 25 1145-70 1146-70 (2 - 4 .).

2 5087-80

3. , , , , , 538-78

4. - PC 80, PC 100 PC 140, 1.

5. - PC 250 - PC 600

6. , 17474-72 17475-72, 4 - 6 .

7. 3 20 1145-70 1146-70. 538-78.

- PC 140, 1, 2;
- " " PC 80, PC 100, PC 200, PC 250, PC 300, PC 400, PC 500, PC 600.